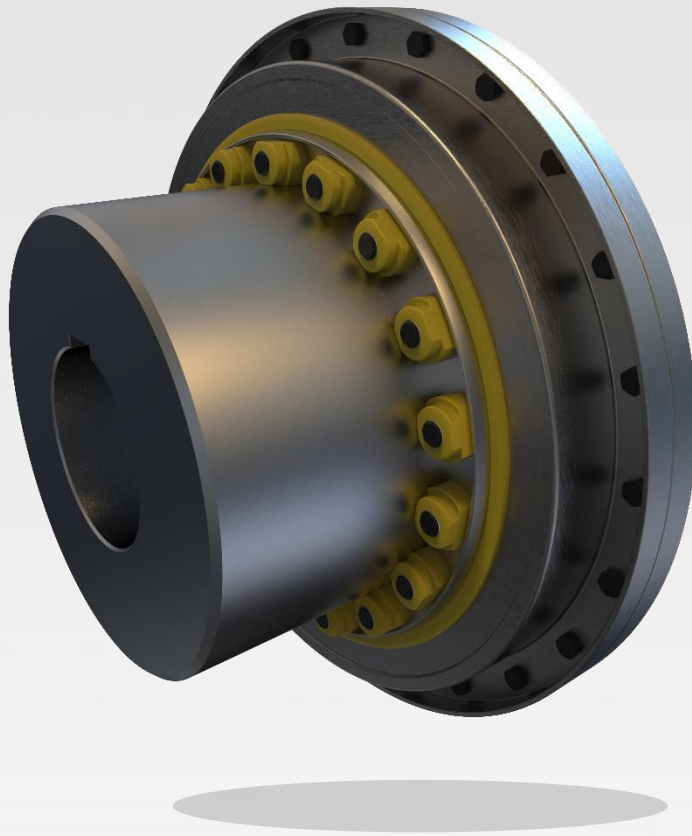




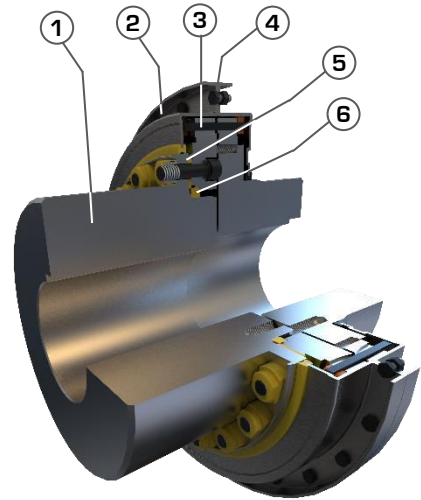
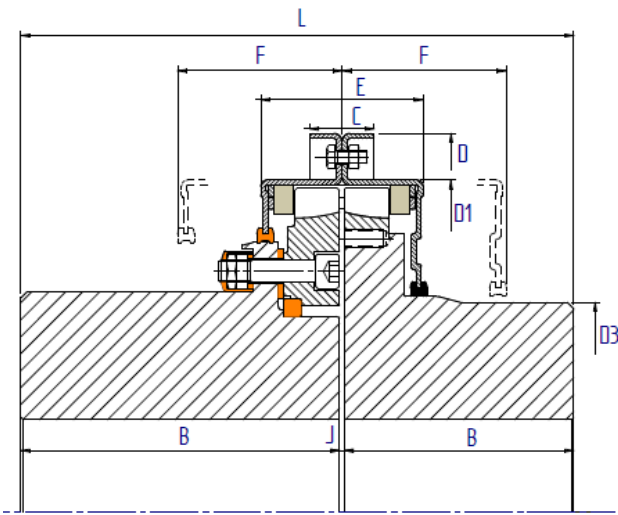
ELECTRICALLY INSULATED COUPLINGS

Flexacier® T+I



www.cmd-couplings.com





Number	Part name
1	GEAR HUB
2	COVER
3	GRID
4	SEAL
5	ELECTRICAL INSULATED FASTENING SET
6	ELECTRICAL INSULATED CENTERING RING

Flexacier «Size » T/TL2L2 +I

SIZE		16	28	43	70	95
Nominal torque	Nm	24 000	48 000	70 000	120 000	160 000
Key fitting	Am	180	230	230	230	270
Shrink fitting		170	200	220	220	250
Starter hole in stock	A	-	75	85	95	105
Hub length	T	130	155	180	200	230
	TL2	195	225	260	280	300
General dimensions	C	42	44	50	50	50
	D	395	494	595	595	670
	DI	330	427	522	528	598
	D3	253	330	330	330	380
	E	124	125	125	200	206
	F	125	126	126	201	201
Axial gap	J	4 ⁺² ₀	4 ⁺² ₀	4 ⁺² ₀	4 ⁺² ₀	4 ⁺² ₀
Overall axial length (Hubs version T)	L	263	314	364	404	464
Number of segments		4	6	8	8	8
Number of layers		2	2	2	2	2
Weight of complete T coupling	Kg	125	245	327	409	579
Inertia	kgm ²	1,50	4,65	8,25	11,5	20,2
Max. speed	Without balancing	1200	920	750	750	650
	Without dyn. balancing	2500	2000	1500	1500	1250
Weight of grease	kg	1,6	1,8	2	4,5	8

For any QUERY or request for QUOTATION :

couplings@cmdgears.com