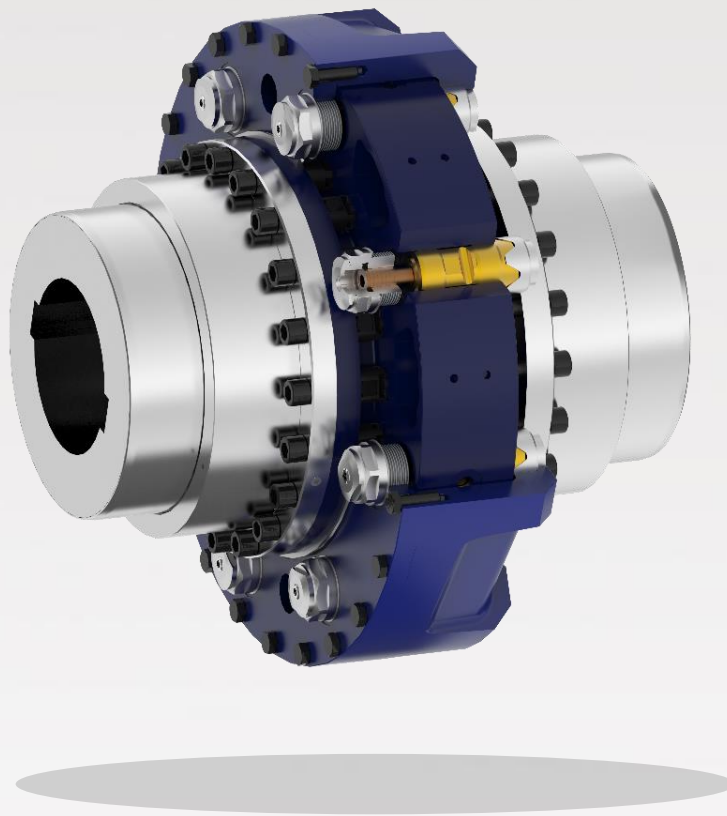




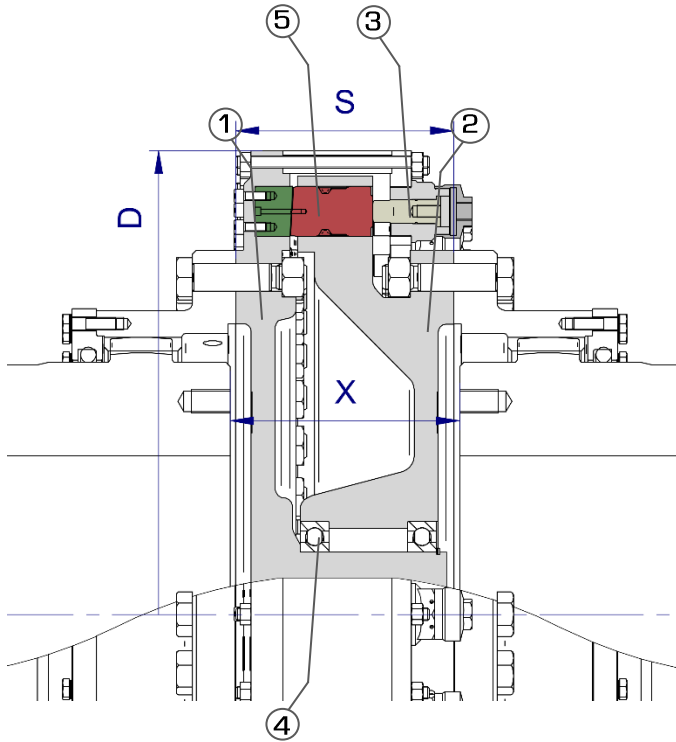
RESETTABLE TORQUE LIMITER

K7 TLR

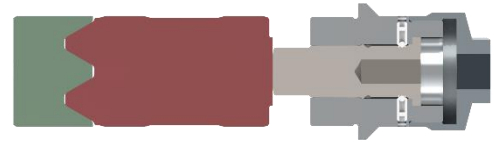


www.cmd-couplings.com

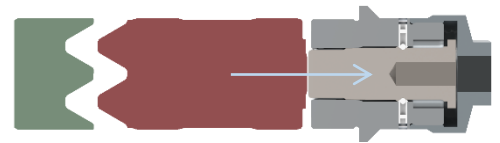




RESETTABLE LOCKING DEVICES



Locked Rotation
Tapered pin – calibrated shrink fit



Free Rotation
Tapered pin – pushed back at torque overload

Designation: Flexident Senior S475 K7TLr

FLEXIDENT SENIOR CORRESPONDING SIZE		250	280	310	330	370	400	430	475	510
Limiting torque range	kNm	29-278	35-440	37-509	39-532	44-840	49-940	54-1230	62-1680	66-1800
	D	730	760	830	860	930	1000	1060	1200	1250
	S	237,5	237,5	246	250	255	260	260	280	280
	DBSE	247,5	247,5	258	233	255	275	275	296	300
Weight *	kg	193.0	217.5	315.0	351.0	490.0	626.0	735.0	1100.0	1187.0
Moment of inertia *	kgm²	4.64	6.17	11.52	14.10	24.20	37.00	52.20	105.30	128.30
Max speed	rpm	1100	1000	903	857	760	696	643	573	542

Item	Designation
1	COUPLING FLANGE 1
2	COUPLING FLANGE 2
3	RESETTABLE CONICAL PIN
4	FREE ROTATION BEARING
5	TRANSMISSION HIRTH TEETH

POSSIBLE COMBINATION WITH:



Type S & SR



Type SV



Type S PA



Type ML-ML2



Type JL



Type S E



Type S DF



Type S DFC

For any QUERY or request for QUOTATION :

couplings@cmdgears.com

And also with flexacier/Winflex PA:

